

# Platon Xtra

For Turf Roof Construction



Platon Xtra's wide, square studs provide an effective water repellent layer between the underlying roofing membrane and the turf, and an air gap that ventilates and drains.

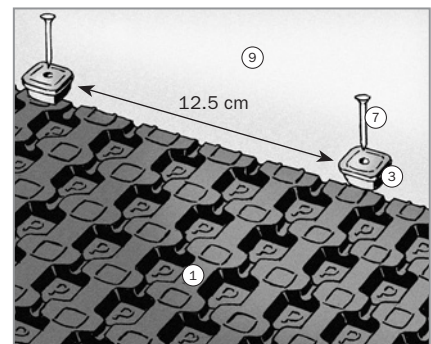
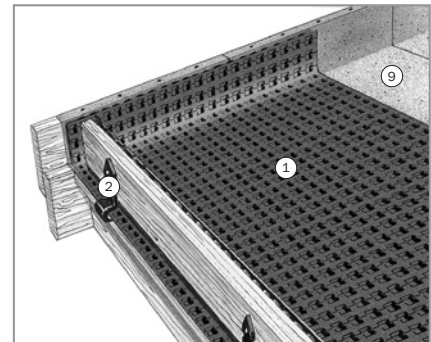
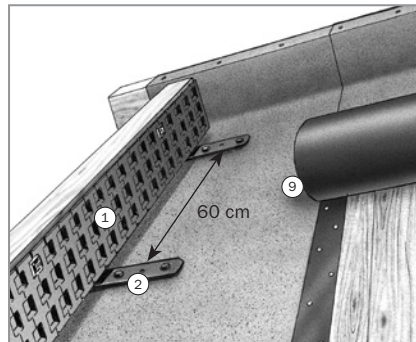
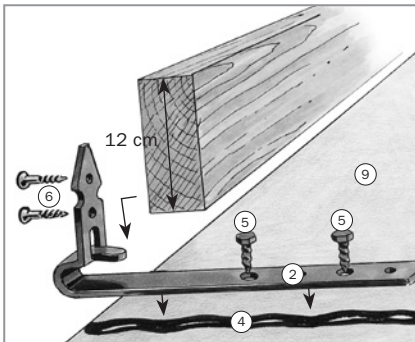
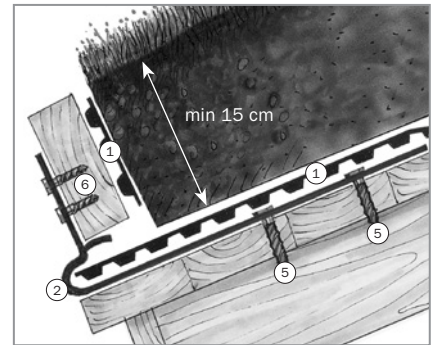
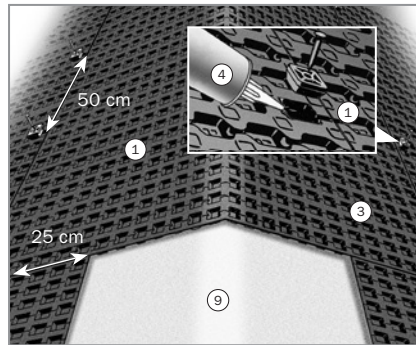
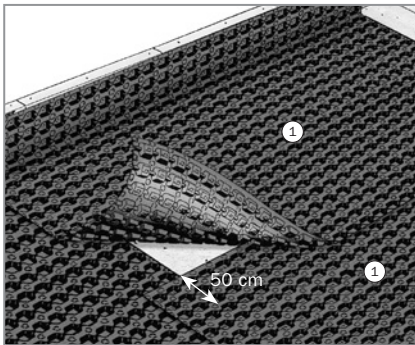
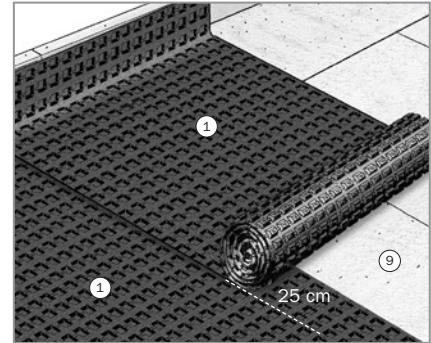
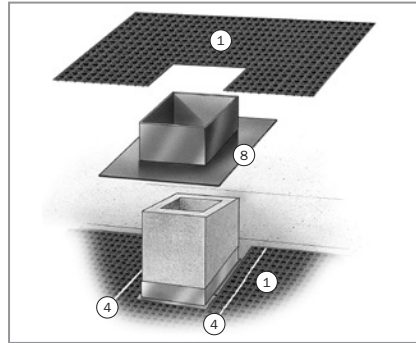
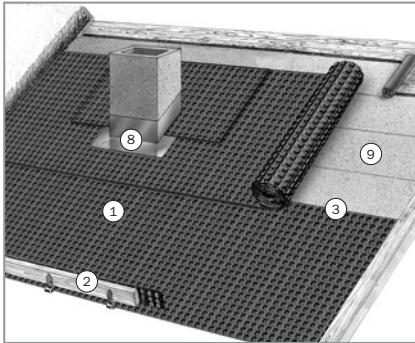
The membrane is installed with the studs down against the underlay, horizontally along the roof. It is mechanically fixed along the top edge using the Platon Xtra Turf Roof Nail with Plug, providing tear resistant fixing points. For the usual pitch of 15° or more, the roll widths are overlapped without sealing. Constructional details at eaves, ridge and chimneys provide proper protection and runoff from the roof.



- Protects underlying roofing membrane from damage during laying of turf
- Prevents root growth into the underlay
- Complete system for long lasting roof performance
- Platon P5 can also be used in turf roof construction. Installation is as per Platon Xtra.

# Platon Xtra

For Turf Roof Construction



KEY TO DIAGRAMS:

**Platon Components**

- 1. Platon Xtra membrane
- 2. Platon Turf Beam Bracket
- 3. Platon fixings
- 4. Platon Sealer

**Additional Materials**

- 5. French wood screw, galv. 8 x 60 mm
- 6. Screws or nails, galv.
- 7. Ribbed nails, galv. 2.5 x 35 mm
- 8. Chimney flashing
- 9. Bitumen roof membrane

**Triton Systems**

Units 3 – 5 Crayford Commercial Centre, Greyhound Way, Crayford, Kent DA1 4HF

Tel: 01322 318830

Fax: 01322 524017

Email: info@tritonsystems.co.uk

[www.tritonsystems.co.uk](http://www.tritonsystems.co.uk)