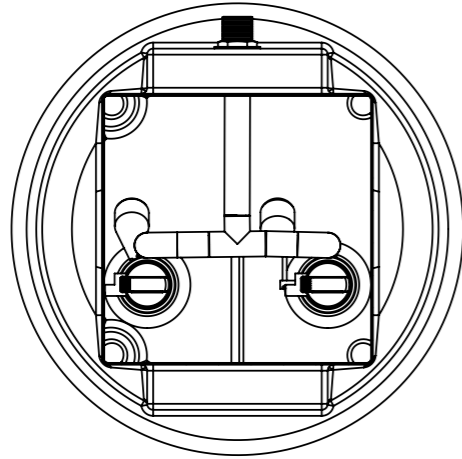
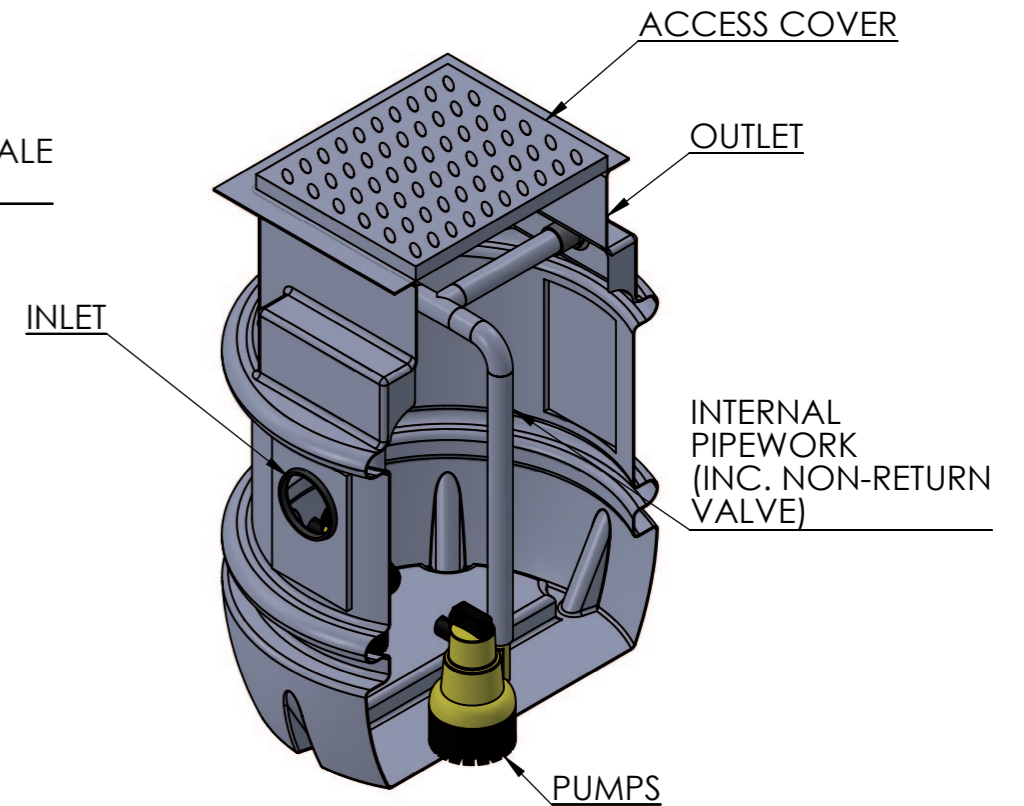
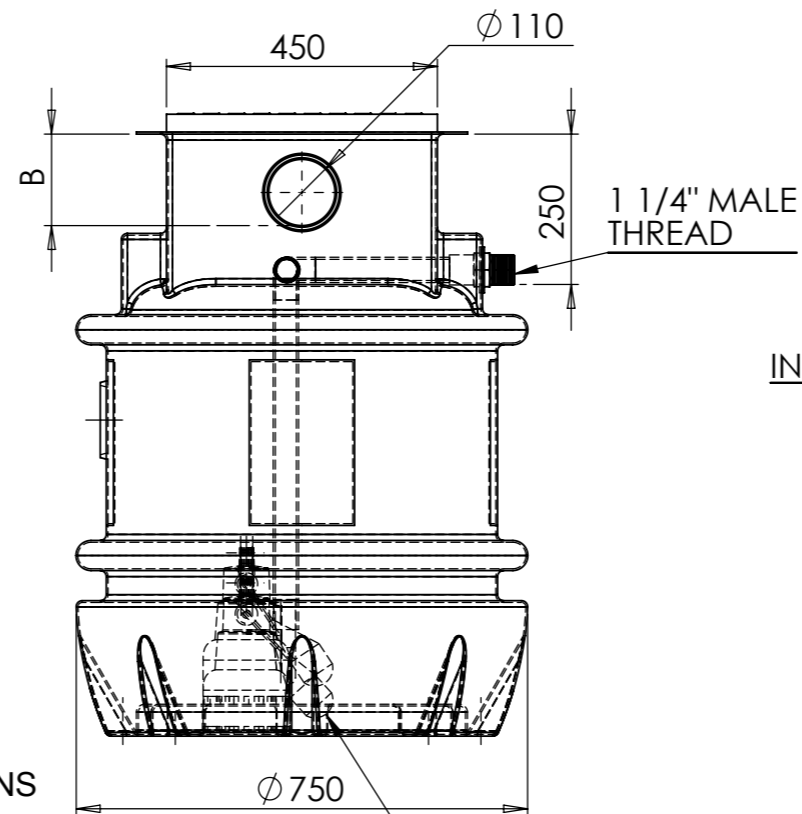
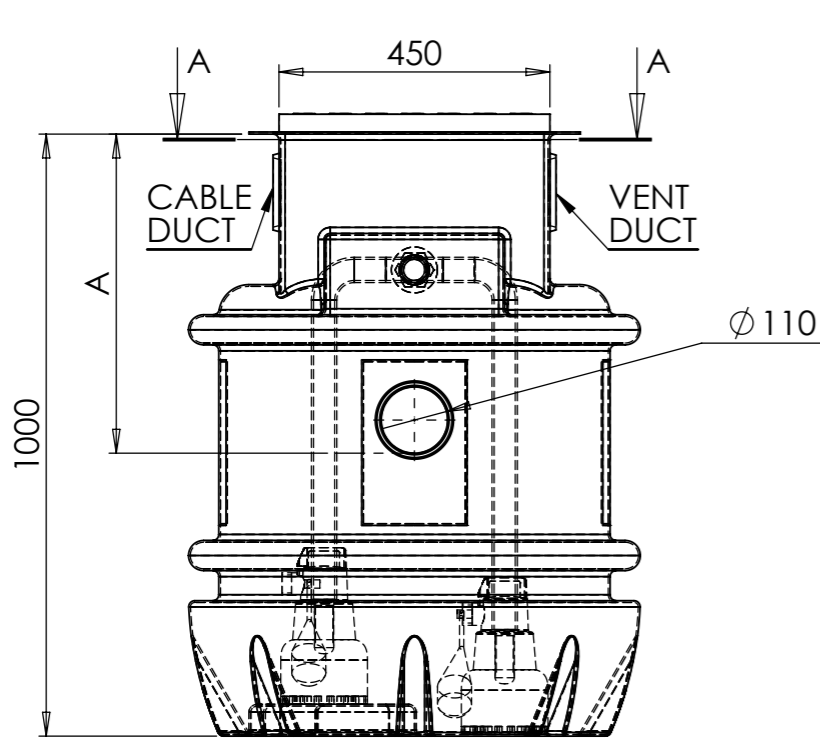
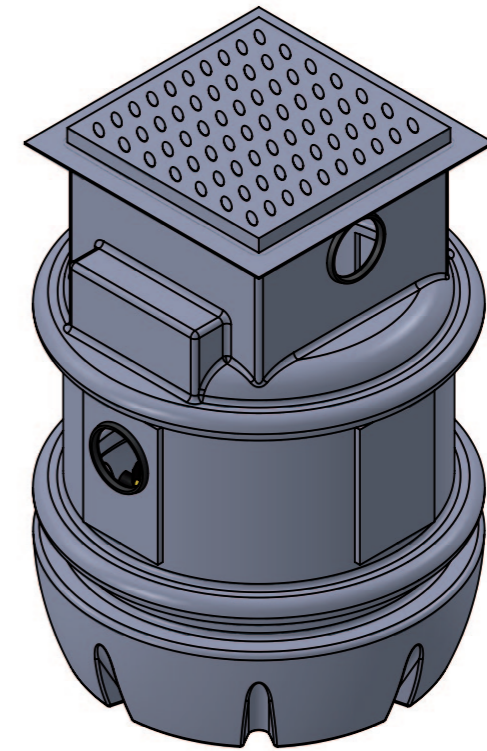
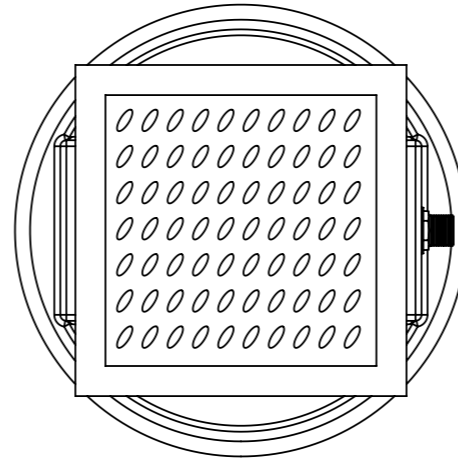


# AQUAPUMP XL



SECTION A-A



A: INLET(S) TO BE POSITIONED ACCORDING TO ON-SITE SPECIFICATIONS TO A VARIABLE INVERT BETWEEN 500-625MM

B: CABLE DUCT / VENT TO BE POSITIONED ACCORDING TO ON-SITE SPECIFICATIONS

FLOAT SWITCH

PLEASE NOTE THAT THIS DRAWING IS FOR ILLUSTRATIVE PURPOSES ONLY AND SHOULD NOT BE USED TO FORM A DESIGN WHAT SO EVER. DRAWING NOT TO SCALE.

CUSTOMER NAME	PRODUCT NAME AQUAPUMP XL		
PROJECT NAME	DRAWING VERSION 358-ASY-102	DRAWING DATE 08/10/12	
PROJECT ADDRESS	DATE	REVISION	
	DRAWN BY NM	CHECKED BY	

**Triton Systems**

Units 3 – 5 Crayford Commercial Centre, Greyhound Way, Crayford, Kent DA1 4HF  
Tel 01322 318830 Fax 01322 524017 Email info@tritonsystems.co.uk

